

- 1
- 2
- 3
- 4
- 5
- 6
- 7
- 8
- 9
- 10
- 11
- 12
- 13
- 14
- 15
- 16
- 17
- 18
- 19

VERSIONS

- Type **B**: with collar
 - Type **S**: with countersunk head
- AISI 303 stainless steel **NI**

FEATURES AND APPLICATIONS

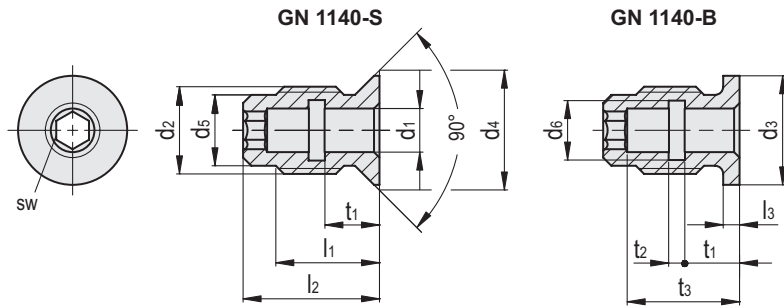
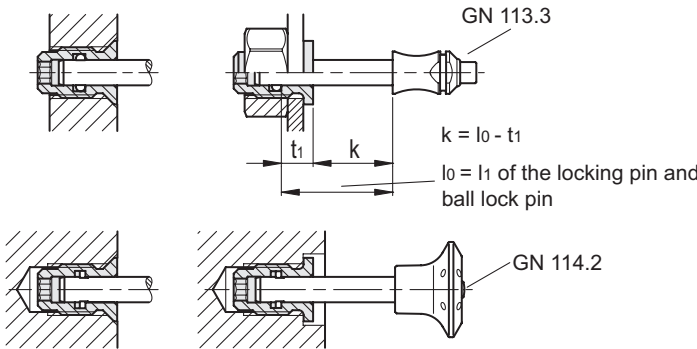
Holding bushings GN 1140 are designed for ball lock pins, such as GN 113.3 (see page -), or locking pins GN 114.2 (see page -). They are used when the existing wall thickness is thin or for installation in a blind hole. They also provide reinforcement when the locking pin or ball lock pin is used with soft, sensitive materials.

Type B establishes a defined screw-in depth due to the collar. Type S with countersunk head allows for centered, flush installation in an easily created hole.

The holding bushings fit the following locking pins and ball lock pins: GN 113.3, GN 113.4, GN 113.5, GN 113.6, GN 113.7, GN 113.8, GN 113.9, GN 113.10, GN 113.11, GN 113.12, GN 113.30, GN 114.2, GN 114.3, GN 114.6, GN 124.2, GN 124.3, GN 214.2, GN 214.3, GN 214.6.



Application examples



GN 1140-B

Code	Description	d1	d2	d3	d5	d6	l1	l2	l3	sw	t1	t2	t3	⚖️
GN.20651	GN 1140-5-M12-B-NI	5 +0.10/+0.02	M 12	16	9.4	6.5	16.5	21	2	4	10	1.5	17.5	14
GN.20653	GN 1140-6-M14-B-NI	6 +0.10/+0.02	M 14	18	11.4	8.2	17.5	23	2	5	10	2.5	18.5	20
GN.20655	GN 1140-8-M16-B-NI	8 +0.10/+0.02	M 16	20	13	11.1	19.5	25	3	6	10	3	20.5	26
GN.20657	GN 1140-10-M20-B-NI	10 +0.15/+0.05	M 20	25	16.4	13.4	21.5	28	3	8	10	4	22	44
GN.20659	GN 1140-12-M24-B-NI	12 +0.15/+0.05	M 24	30	19.6	15.4	29.5	39	4	10	20	5	33.5	91
GN.20661	GN 1140-16-M30-B-NI	16 +0.15/+0.05	M 30	36	25	20.3	33.5	43	4	10	20	7	36.5	149

GN 1140-S

Code	Description	d1	d2	d4	d5	d6	l1	l2	sw	t1	t2	t3	⚖️
GN.20652	GN 1140-5-M12-S-NI	5 +0.10/+0.02	M 12	18	9.4	6.5	16.5	21	4	10	1.5	17.5	14
GN.20654	GN 1140-6-M14-S-NI	6 +0.10/+0.02	M 14	20	11.4	8.2	17.5	23	5	10	2.5	18.5	20
GN.20656	GN 1140-8-M16-S-NI	8 +0.10/+0.02	M 16	22	13	11.1	19.5	25	6	10	3	20.5	25
GN.20658	GN 1140-10-M20-S-NI	10 +0.15/+0.05	M 20	27	16.4	13.4	21.5	28	8	10	4	22	44
GN.20660	GN 1140-12-M24-S-NI	12 +0.15/+0.05	M 24	32	19.6	15.4	29.5	39	10	20	5	33.5	89
GN.20662	GN 1140-16-M30-S-NI	16 +0.15/+0.05	M 30	38	25	20.3	33.5	43	10	20	7	36.5	147

Indexing and positioning elements